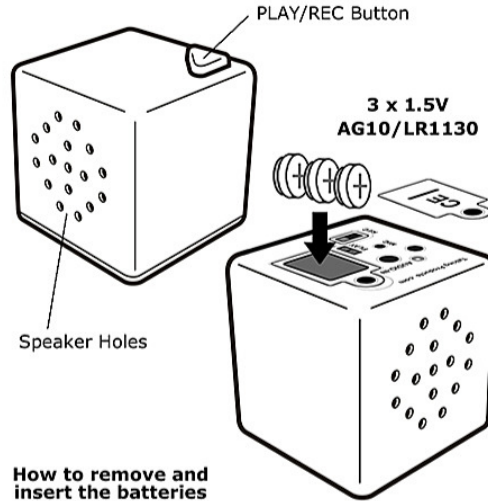
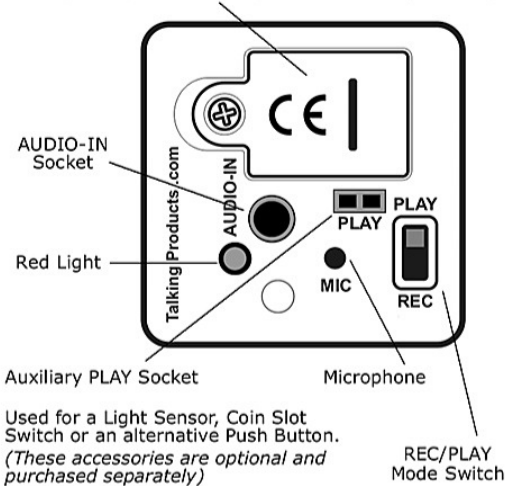


Battery Compartment - Requires 3 x AG10 (Included)



**How to remove and insert the batteries**



Talking Products Ltd  
Unit C8 The Premier Centre  
Abbey Park Industrial Estate  
ROMSEY, Hampshire  
SO51 9DG, ENGLAND

Tel: +44 (0) 1794 278327  
Free Fax: +44 (0) 808 280 2507

Email: sales@TalkingProducts.com

[www.TalkingProducts.com](http://www.TalkingProducts.com)



## TALKING CUBES

Talking Cubes allow you to record and playback speech, music, and sound effects. Each Cube has a recording time of up to 20 seconds.

Please read the following instructions carefully and keep this document safe for future reference.

### How to record a message

You can record using either **a.)** the built-in microphone or **b.)** the AUDIO-IN socket, both located on the rear.

### How to record using the microphone

Turn the Cube upside down and remove the white tab from the slot in the battery compartment door, (if using for the first time).

Move the REC/PLAY Mode Switch to the REC position. Press down the PLAY/REC Button and the red light will illuminate to indicate that recording has begun. Speak clearly into the microphone and release the button when you have finished recording.

**NOTE:** Ensure the PLAY/REC Button is held down so that the red light remains on whilst you are recording. You will hear a 'beep' sound to indicate recording has begun and then two 'beeps' to indicate recording has finished.

### How to record using the AUDIO-IN socket

Turn the Cube upside down and move the REC/PLAY Mode Switch to the REC position.

Locate the AUDIO-IN socket and use a 3.5mm Phono Plug Lead, (bought separately), to connect to the Earphone Socket of an audio device such as a CD Player, Computer or MP3 Player.

Play the sound from the audio device. Press and hold the PLAY/REC Button when you wish the recording to start and release when you wish the recording to stop.

**NOTE:** Ensure the PLAY/REC Button is held down so that the red light remains on whilst you are recording.

**NOTE:** You can re-record as many times as you wish, but the new recorded message will replace the previous one. You can only store one single 20 second message.

### How to playback a message

Move the REC/PLAY Mode Switch to the PLAY position and turn the cube upright. Press the PLAY/REC Button once and release.

### Volume control and sound quality

When recording via the Microphone, you can adjust the playback volume by altering the distance you speak from the microphone.

When recording via the AUDIO-IN socket, the recording level is very sensitive so you may wish to alter the volume on the audio device starting from a low level.

### Spare Batteries

Buy spare batteries from [www.TalkingProducts.com](http://www.TalkingProducts.com)

### Product Code:

TC1-20-WHT



### Safety Information

1. Please keep the packaging and this document for future reference, it contains important information.
2. Not suitable for children under 3 years of age.
3. Non-rechargeable batteries are not to be charged.
4. Rechargeable batteries must be removed from the battery compartment before being charged.
5. Rechargeable batteries must only be charged under adult supervision.
6. Do not mix different types of batteries and do not mix old and new batteries.
7. Batteries must be fitted with the correct polarity.
8. Exhausted batteries must be removed from the battery compartment.
9. The power supply terminals must not be short-circuited.
10. Battery Type: 3 x 1.5V AG10/LR1130 Button Cells